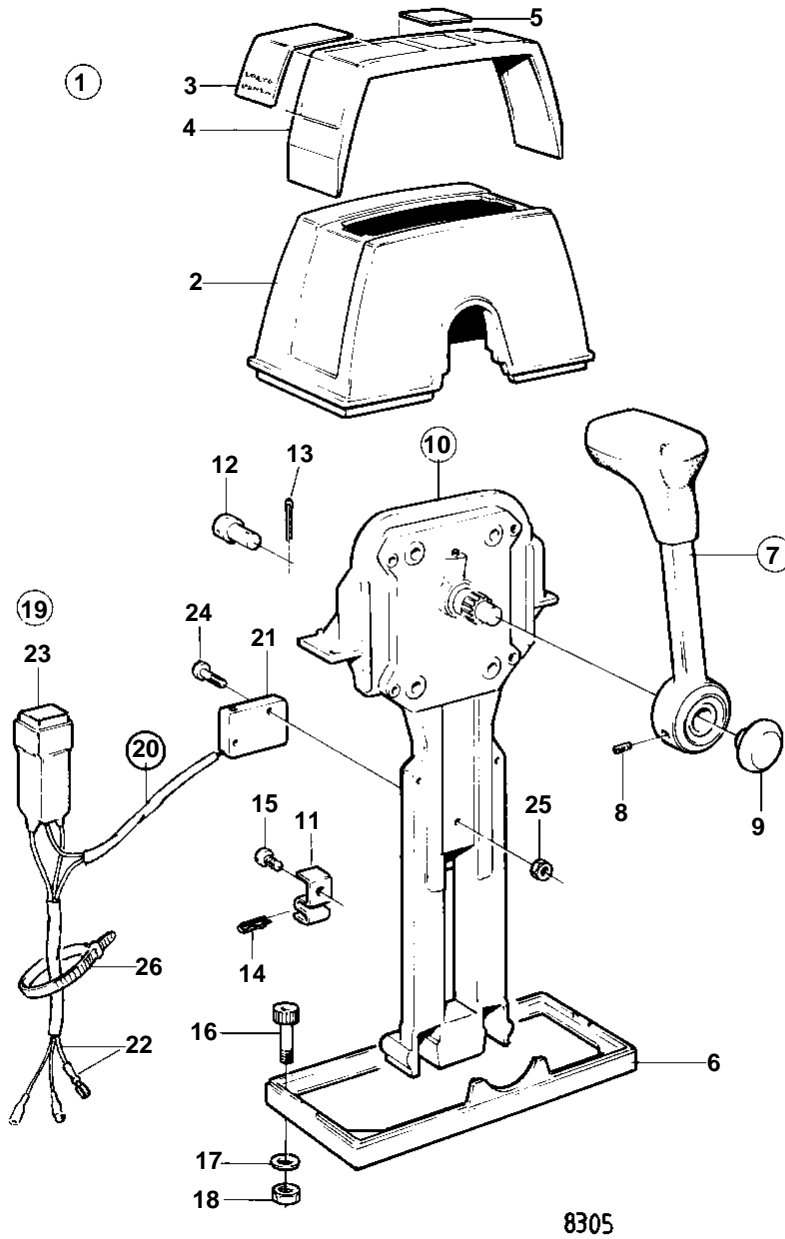


COMMON



COMMON

| REF | PART NO. | QTY | DESCRIPTION | NOTES |
|-----|----------|-----|--------------------------|-------------|
| 1 | 853169 | 1 | Mounting kit | TWIN |
| 2 | 851885 | 1 | · Cover | |
| 3 | 851895 | 1 | · Decal | |
| 4 | 851891 | 1 | · Cover plate | |
| 5 | 851897 | 1 | · Decal | |
| 6 | 839479 | 1 | · · Plate | |
| 7 | 852347 | 2 | · Lever | |
| 8 | 963678 | 1 | · · Screw | |
| 9 | 853004 | 2 | · Push button | |
| 10 | 851600 | 2 | Control | |
| 11 | 853423 | 1 | · Retainer | |
| 12 | 839638 | 2 | · Cube | |
| 13 | 17253 | 2 | · Cotter pin | |
| 14 | 852924 | 1 | · Clip | |
| 15 | 839664 | 2 | Screw | |
| 16 | 947671 | 4 | Allen head screw | |
| 17 | 960138 | 4 | Washer | |
| 18 | 955780 | 4 | Nut | |
| 19 | 839641 | 2 | Neutral posit contac | |
| 20 | 839619 | 1 | · Cable kit | |
| 21 | 850200 | 1 | · · Switch | |
| 22 | | X | · · CABLES AND TERMINALS | SEE GROUP 3 |
| 23 | 1501832 | 1 | · Relay | |
| 24 | 946177 | 2 | · Screw | |
| 25 | 947536 | 2 | · Nut | |
| 26 | 948210 | X | · Strip clamp | |